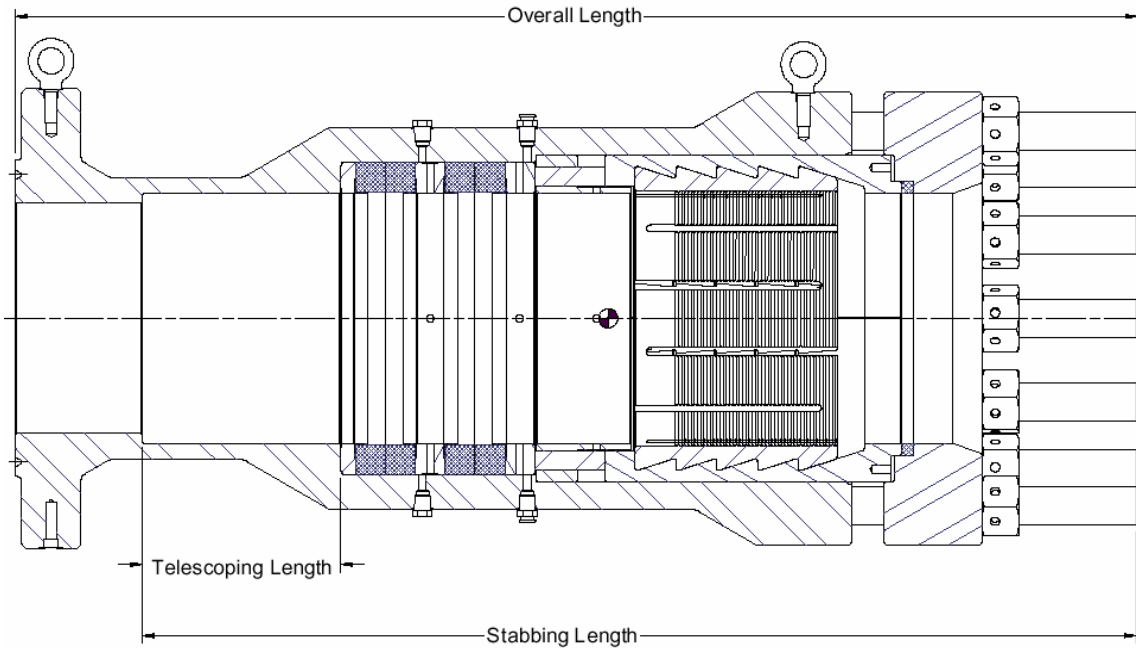




GripLock™ End Connectors

(ANSI 900 Class)



Nom. Size	ANSI Class	Outside Diameter OD (in)	Overall Length OAL (in)	Collet Stud Data		Telescoping Length (in)	Stabbing Length (in)	Weight (lbs)
				Stud Size (in)	Quantity			
3	900	9.50	21.25	7/8 - 9 UNC	10	5.00	18.50	160
4	900	11.50	22.16	1-1/4 - 8UN	8	5.50	19.50	263
6	900	15.00	27.03	1-1/4 - 8UN	12	5.50	24.00	475
8	900	18.50	45.25	1-3/8 - 8UN	14	10.00	39.00	910
10	900	21.50	50.29	1-5/8 - 8UN	14	9.25	43.00	1500
12	900	24.00	58.86	2 - 8UN	14	9.50	51.25	2568
16	900	28.63	68.03	2-1/4 - 8UN	16	10.50	59.75	4350
20	900	33.75	79.00	2-1/4 - 8UN	18	11.00	68.25	6333
30	900	48.50	96.78	2-1/4 - 8UN	24	20.00	86.25	12500
36	900	57.50	110.12	2-1/2 - 8UN	28	24.00	100.75	18500

*Note: All ANSI 900 Class sizes are available in ANSI 600 Class configurations upon request. QCS Stocks GripLocks in the 4" through 20" in the ANSI 900 size range.